


**Table of Contents**

1	Title Page
2	Notes
3	

**Revisions**

Rev	Description	Date	Approved
X1	Original Release	Nov-8-2013	A. INZUNZA
A	Production Release	Dec-2-2013	A. INZUNZA
B	Production Release	Feb-21-2013	A. INZUNZA

		<b>Microcontroller Solutions Group</b> 6501 William Cannon Drive West Austin, TX 78752-8689	
<small>This document contains information proprietary to Freescale Semiconductor and shall not be used for engineering design, procurement or manufacture in whole or in part without the express written permission of Freescale Semiconductor.</small>			
Designer: A. INZUNZA		ICAP Classification: FOP: FUK: X PUB:	
Drawn by: A. INZUNZA		Drawing Title: <b>TRK-KEA64</b>	
Approved: APPROVER		Page Title: <b>TITLE PAGE</b>	
Size C	Document Number SCH-28199 PDF: SPF-28199	Date: Friday, February 21, 2014	Rev B
		Sheet 1 of 5	

1. Unless Otherwise Specified:

All resistors are in ohms, 5%, 1/8 Watt

All capacitors are in uF, 20%, 50V

All voltages are DC

All polarized capacitors are aluminum electrolytic

2. Interrupted lines coded with the same letter or letter combinations are electrically connected.

3. Device type number is for reference only. The number varies with the manufacturer.

4. Special signal usage:

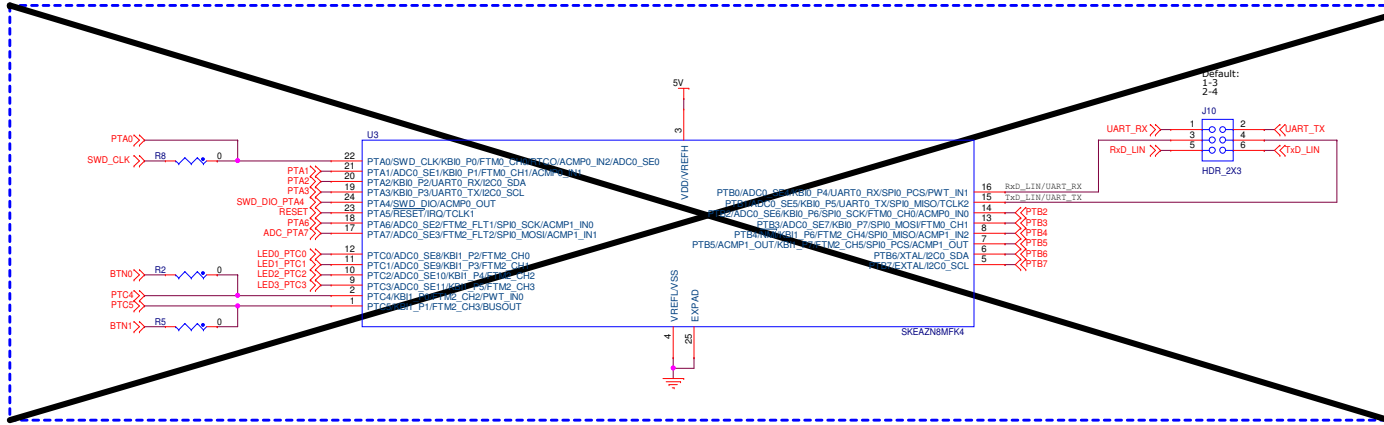
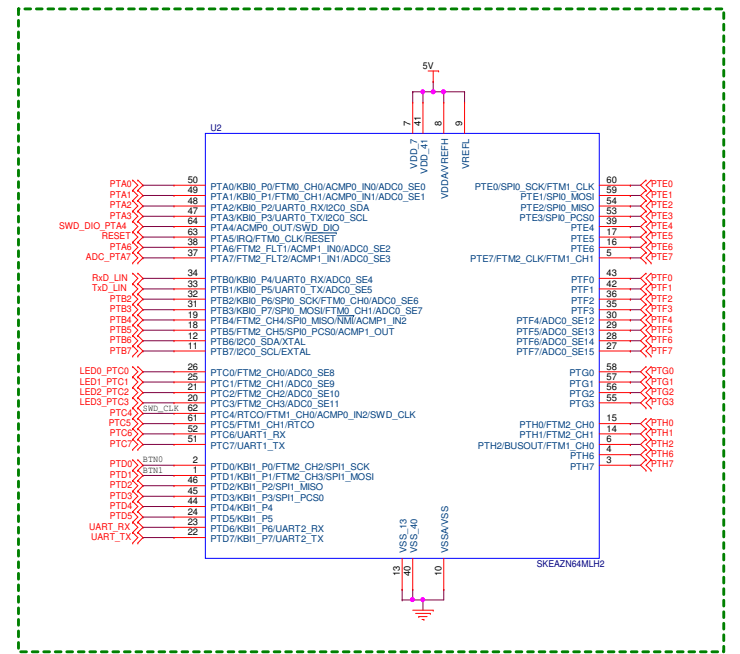
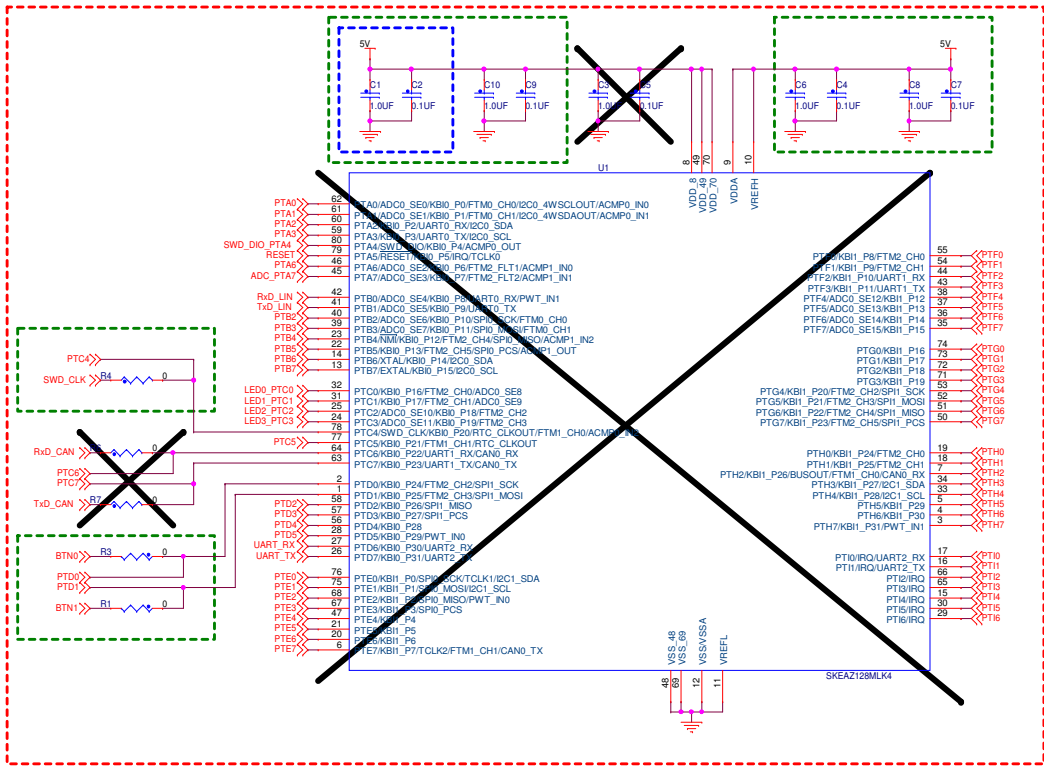
\_B Denotes - Active-Low Signal

<> or [] Denotes - Vectored Signals

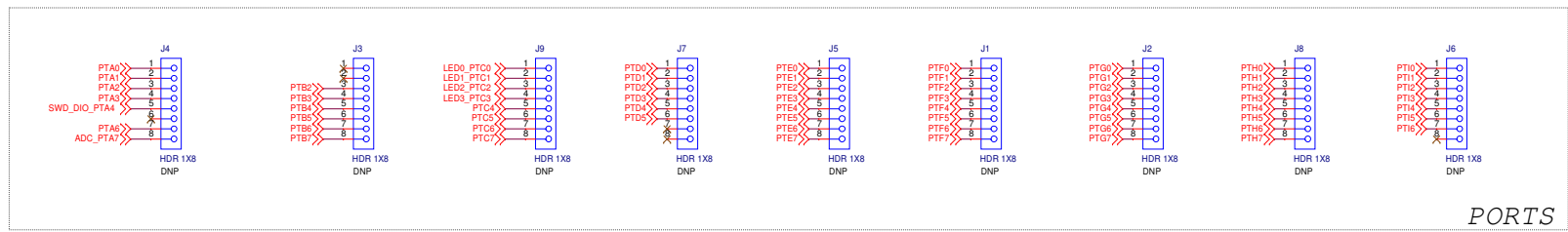
5. Interpret diagram in accordance with American National Standards Institute specifications, current revision, with the exception of logic block symbology.



ICAP Classification:		FCP:	FIUC: X	PUBL:
Drawing Title:		<b>TRK-KEA64</b>		
Page Title:		<b>NOTES</b>		
Size	Document Number	SCH-28199 PDF: SPF-28199		Rev
C				B
Date:	Friday, February 21, 2014	Sheet	2	of 5



- Populated with KEA8
- Populated with KEA64
- Populated with KEA128



PORTS

**freescale**  
semiconductor

ICAP Classification: FCP:      FUC: X      PUB:      DNP

**TRK-KEA64**

**MCUs**

Page Title:      SCH-28199 PDF: SPF-28199

Size C      Document Number      Rev B

Date: Friday, February 21, 2014      Sheet 3 of 5

